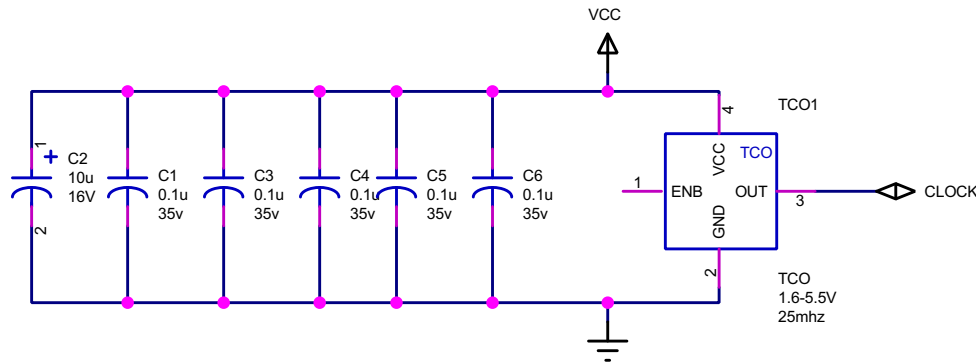


EPM7064BL44  
544-2295-5-ND EPM7064AELC44-10 3.3V \$8.28  
544-2012-ND EPM7064SLC44-10N 5V \$9.66  
544-1995-ND EPM7032AELC44-10N 3.3V \$2.41



FILE NAME: <b>SimpleCPLD R1.1.pdsprj</b>	DATE: <b>10/6/2015</b>
DESIGN TITLE: <b>SimpleCPLD R1.1.pdsprj</b>	PAGE: <b>1 of 1</b>
PATH: <b>S:\CPLD\Simple CPLD 64\R1\SimpleCPLD R1.1.pdsprj</b>	TIME: <b>5:16:18 PM</b>
BY: <b>@AUTHOR</b>	REV: <b>@REV</b>